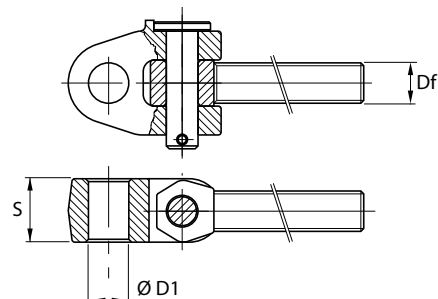


ATTACCHI SNODATI PER 3° PUNTO
ARTICULATED YOKE FOR 3° POINT LINKAGE

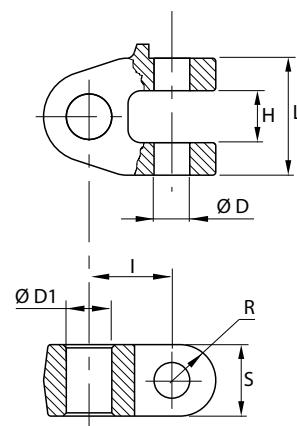


SIGLA ARTICLE	CAT.	Df	Ø D1	S
CPF 1400	2	M30X3 DX	25.4	51
CPF 1402	2	M30X3 SX	25.4	51
CPF 1404	-	M30X3 DX	28	51
CPF 1406	-	M30X3 SX	28	51
CPF 1408	-	M30X3 DX	30	51
CPF 1410	-	M30X3 SX	30	51
CPF 1412	3	M30X3 DX	32	51
CPF 1414	3	M30X3 SX	32	51
CPF 1416	1	M30X3.5 DX	19	51
CPF 1418	1	M30X3.5 SX	19	51
CPF 1420	-	M30X3.5 DX	20	51
CPF 1422	-	M30X3.5 SX	20	51
CPF 1424	-	M30X3.5 DX	22.1	51
CPF 1426	-	M30X3.5 SX	22.1	51
CPF 1428	2	M30X3.5 DX	25.4	51
CPF 1430	2	M30X3.5 SX	25.4	51

SIGLA ARTICLE	CAT.	Df	Ø D1	S
CPF 1432	-	M36x3 DX	20	51
CPF 1434	-	M36x3 SX	20	51
CPF 1436	-	M36x3 DX	22.1	51
CPF 1438	-	M36x3 SX	22.1	51
CPF 1440	2	M36x3 DX	25.4	51
CPF 1442	2	M36x3 SX	25.4	51
CPF 1444	-	M36x3 DX	28	51
CPF 1446	-	M36x3 SX	28	51
CPF 1448	-	M36x3 DX	30	51
CPF 1450	-	M36x3 SX	30	51
CPF 1452	3	M36x3 DX	32	51
CPF 1454	3	M36x3 SX	32	51

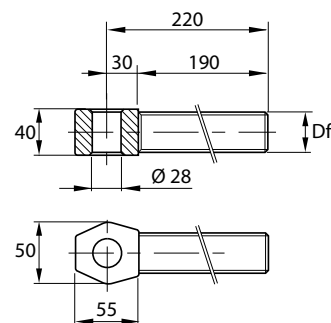
FORCELLA A CROCERA
SHIFTER

SIGLA ARTICLE	Ø D	Ø D1	I	H	L	S	R	PESO IN Kg. WEIGHT Kg.
FC 1460	28	19	63	40	85	51	25.5	1.94
FC 1461	28	20	63	40	85	51	25.5	1.96
FC 1462	28	22.1	63	40	85	51	25.5	1.92
FC 1463	28	25.4	63	40	85	51	25.5	1.88
FC 1464	28	28	63	40	85	51	25.5	1.84
FC 1465	28	30	63	40	85	51	25.5	1.78
FC 1466	28	32	63	40	85	51	25.5	1.74
FC 1467	28	36	63	40	85	51	25.5	1.66
FC 1470	28	28	57	40	75	65	28	1.46



TIRANTE FILETTATO PER FORCELLA A CROCERA
THREADED END ASSEMBLIES FOR SHIFTER

SIGLA ARTICLE	Df	PESO IN Kg. WEIGHT Kg.
PF 1480	M30X3 DX	1.42
PF 1482	M30X3 SX	1.42
PF 1484	M30X3.5 DX	1.40
PF 1486	M30X3.5 SX	1.40
PF 1488	M36X3 DX	1.84
PF 1490	M36X3 SX	1.84
PGG 1500	A GAMBO GREZZO Ø36 - Ø36 NOT TURNED	2.00



PERNO
PIN

SIGLA ARTICLE	D	Q	L2	d	PESO IN Kg. WEIGHT Kg.
PF 11194	28	34X34	80	6	0.60
PF 11195	28	34X34	90	6	0.60

